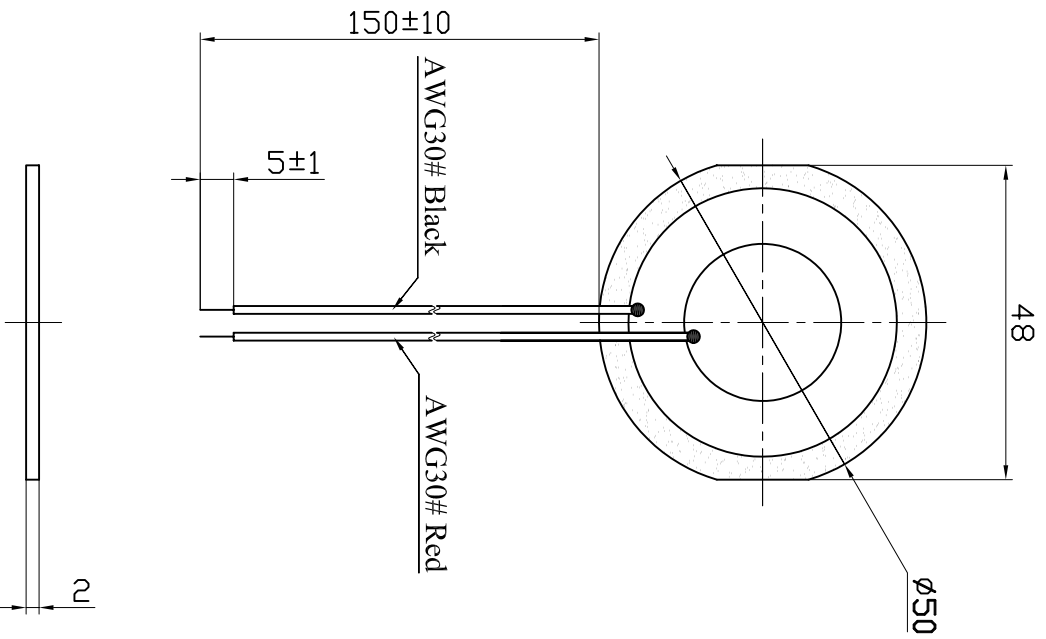


SPECIFICATION

1. Rated Voltage..... 12V-p-p Square Wave
2. Max. Allowable Voltage..... 30V-p-p Square Wave
3. Max. Rated Current..... 4mA at 1.0KHz/ 12V-p-p Square Wave
4. Min. Sound Pressure Level..... 70dB at 1.0KHz/12V-p-p
..... Square Wave/10cm
5. Capacitance at 120Hz..... 8000±30% pF
6. Resonant Frequency..... 1.0±0.5KHz
7. Case Material..... ABS
8. Operating Temperature..... -20~+60°C
9. Store Temperature..... -30~+70°C
10. Weight..... 4g



No.	DESCRIPTION	APPROVED	DATE	KEPO NINGBO KEPEE IMPROVING ELECTRONIC CO.,LTD http://www.chinaacoustic.com Piezo Buzzer KPR-5010		
TOLERANCES UNLESS NOTED OTHERWISE	APPROVALS	DATE				
XXX.X	DRAWN					
XXX.X	CHECKED					
FIRST ANGLE PROJECTION				UNIT	DWG NO.	KP3.840.331
				SCALE	NOT TO SCALE	SHEET
				APPROVED	03.05.08	VER 1.1